



COMPUTER SYSTEMS & PROGRAMMING

Motherboard

Zuhaib A. Shaikh,
Asst. Prof., CSE Deptt.,QUEST
Web: zuhaib-shaikh.neocities.org

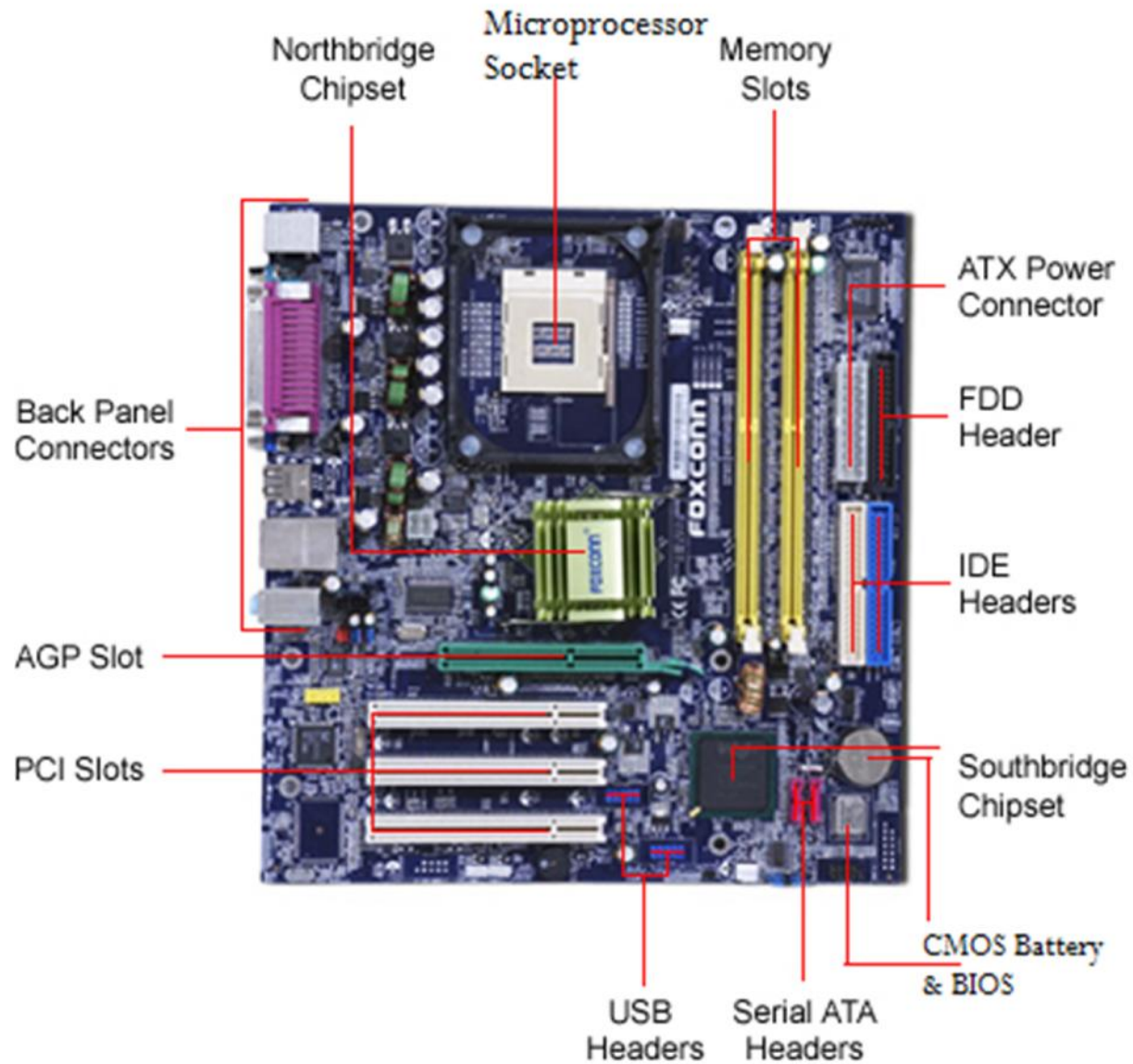


Motherboard

- PCB (Printed Circuit Board)
- Main board where all devices are connected
- Provides platform for all components to
 - Communicate with each other
 - Receive power
- Form factor (ATX & BTX)
 - Socket for microprocessor (LGA/PGA)
 - Chipset
 - BIOS
 - Real time clock chip
 - Slots & Ports
 - PCI
 - AGP/VGA/SVGA
 - IDE/ATA/SATA
 - USB
 - Memory slots



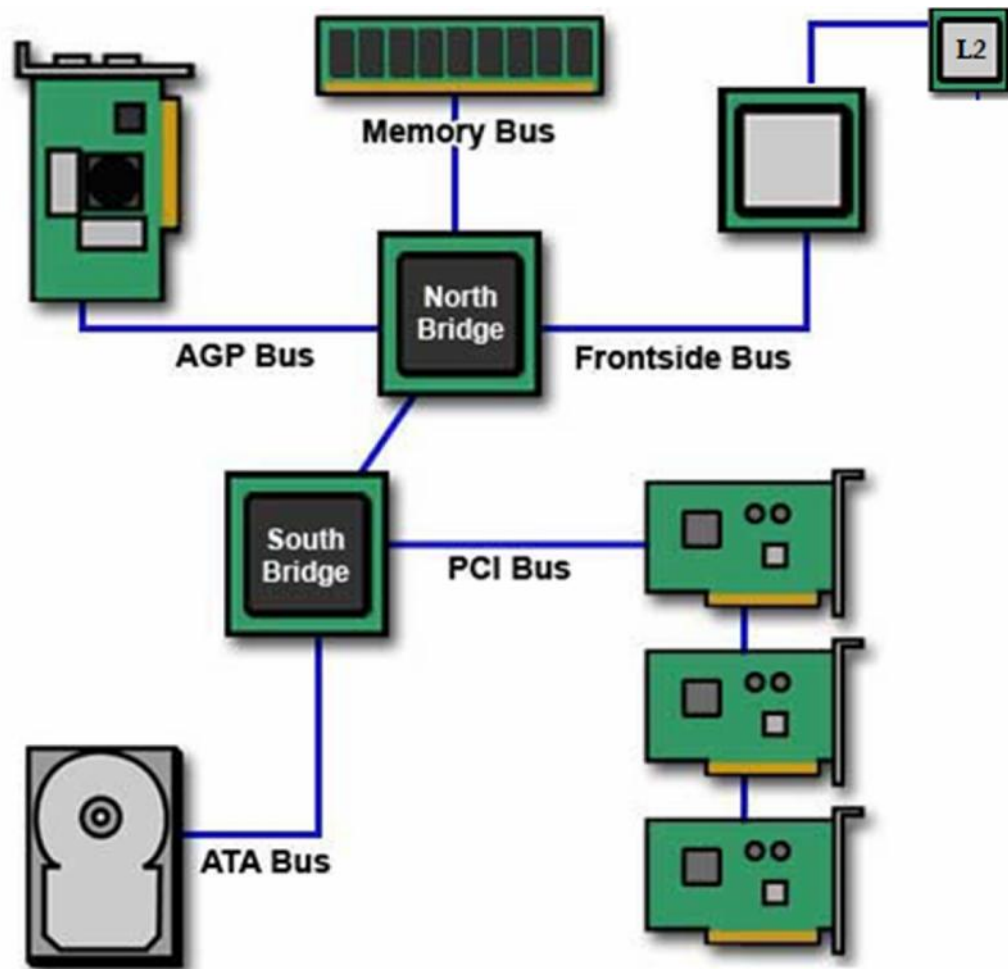
Motherboard





Motherboard

- Logically divided into two parts:
 - South Bridge (Slower devices)
 - North Bridge (faster devices)





Questions

